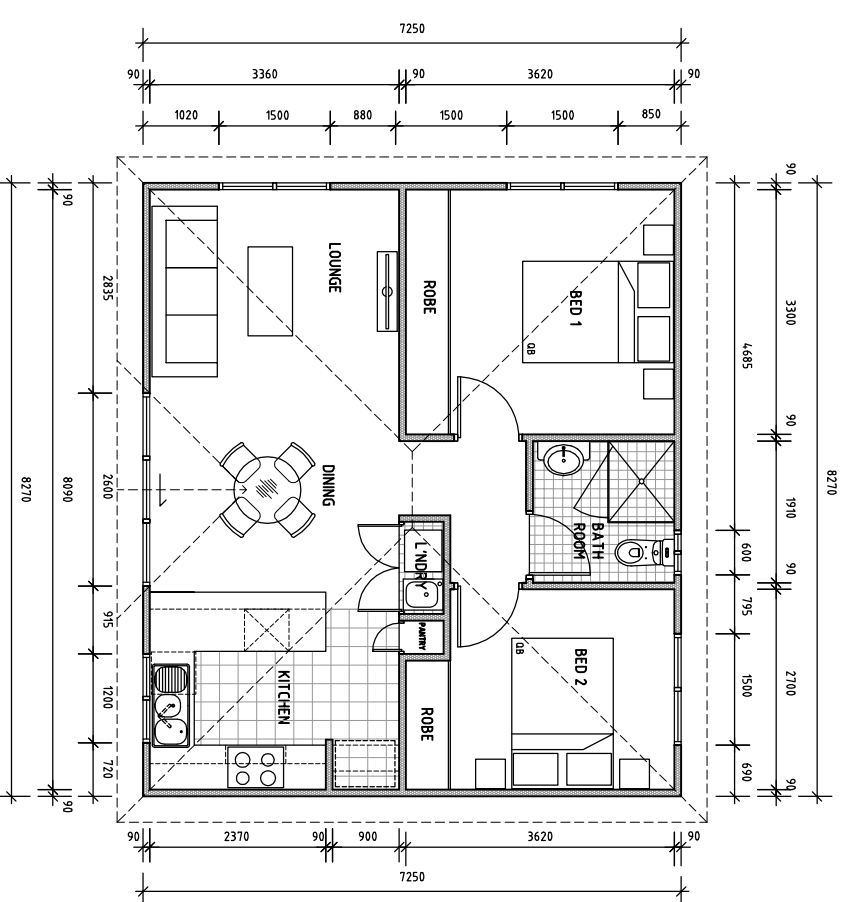


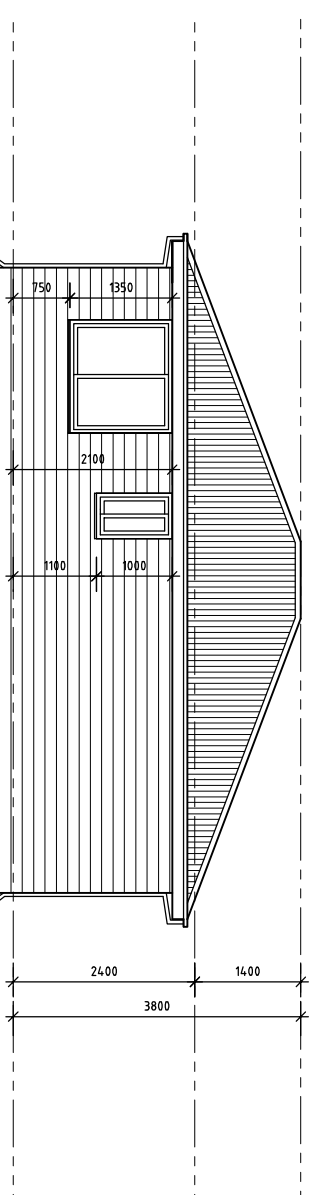
B SIDE ELEVATION
1:150

C FRONT ELEVATION
1:150

D SIDE ELEVATION
1:150



A 2 BED GRANNY FLAT FLOOR PLAN
1:150



E REAR ELEVATION
1:150

2 BED GRANNY FLAT / FANCY ROOF / SLAB
MODEL 'D'

